

# AGP-6000 Series

## Exit Station

### Features:

- Standalone (AGP-6010 series) or on-line (AGP-6010, and AGP-6050 series).
- Uses common hardware components (RWPV-based), fewer inventoried parts, reduced service training.
- Field programmable operation utilizing handheld wireless remote control.
- Accommodates credit card size mag-stripe media.
- Access card and credit card acceptance (AGP-6050 series) model optional.



The AGP-6000 Series Exit Station is designed for multiple uses, typically at the unattended exits of a parking facility.

The AGP-6010 Series Exit Station accepts the paid parking ticket, confirms the patron has paid and exited within the programmed lag-time, and vends the gate. The AGP-6050 Series adds mag-stripe card access functionality when used with an AGP-2250 Series Entry Station and on-line card access host software. The AGP-6050 Series adds credit card functionality for ticket in/credit card out, and credit card in/credit card out when used with an AGP-2050 series Entry Station and on-line credit card host software.



# SPECIFICATIONS

## AGP-6000 Exit Station

### Electrical

- 120V AC, 60 HZ
  - 220/240V AC, 50/60 Hz
- 10 amp max. (120V) 5 amp max. (240V)  
Multiple I/O capability for ticket tracking, count and monitoring

### Mechanical

Dot matrix printer; cartridge ribbon; exclusive RWPV™ read, write, print and vault mag-stripe mechanism

### Time Control

- Real-time clock synchronization with host computer
- Built-in crystal controlled perpetual calendar
- Programmable Daylight Saving Time adjustment

### Environment

**Temperature:** -20°F ~ 120°F (-29°C ~ 49°C)  
Automatic thermostat-controlled heater included

**Humidity:** 10% ~ 95% (non-condensing)

### Housing

Heavy-duty, 12 gauge steel construction, weather gasketing, heavy-duty polyethylene cover, lockable door.

**Dimensions:** 49-3/8" h x 17-3/4" w x 21" d  
(126 cm x 45 cm x 53 cm)

**Ticket throat:** 38-3/4" (98 cm)

**Weight:** 135 lbs. (61 kg)

**Finish (Standard):** Yellow (RAL #1028); White (RAL #9010)

### Printer

Large format 9 x 7 dot matrix printer marks used tickets.

AGP-6050 series prints credit card type receipt (entry month, date and time, exit month, date and time, parking fee, card type, card number (partial), and transaction number)

### Tickets

- AGP-6010 holds 5000 used tickets in vault
- AGP-6050 series holds 1000 used tickets in vault
- AGP-6050 series uses fanfold tickets for receipts; 5000 tickets/carton.
- Credit card size tickets: 2-1/8" x 3-3/8" (5.41 cm x 8.59 cm)

### Other

Standard user recordable voice announcement kit Intercom kit built-in

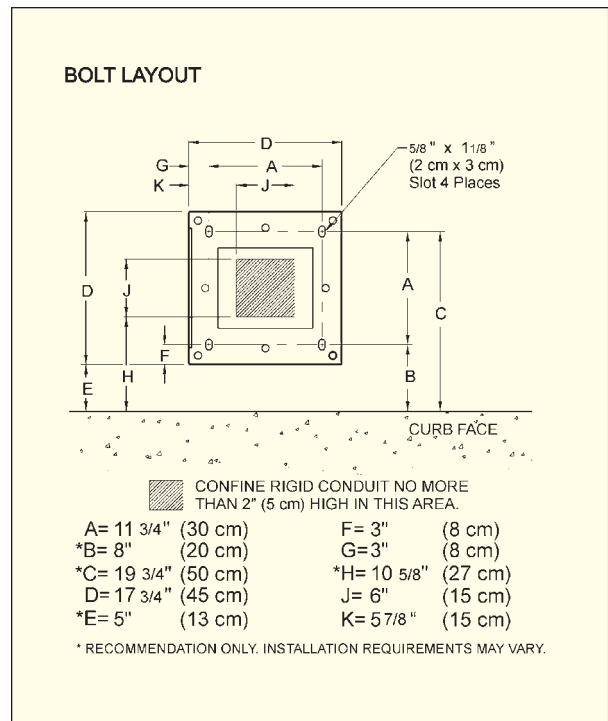
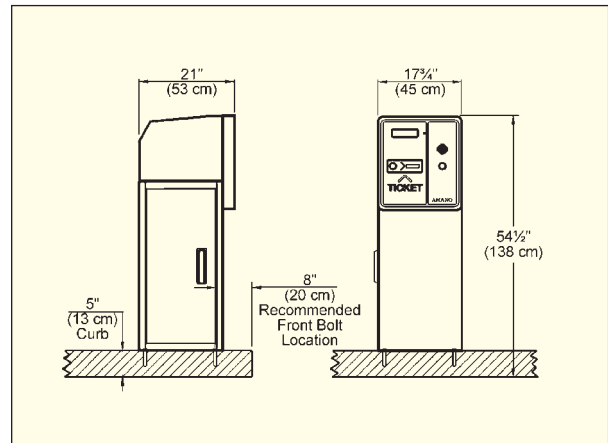
*Manufactured by Amano Cincinnati, Inc.'s Ohio factory, an ISO 9001:2000 registered facility.*

*Specifications are approximate and are subject to change without notice*

*UL approval does not apply to 210/250v AC, 50/60 Hz*



Approved Approved



### REPRESENTED BY:

# AMANO®

140 Harrison Avenue, Roseland, NJ 07068-1239

(800) 526-2559 [www.amano.com](http://www.amano.com)